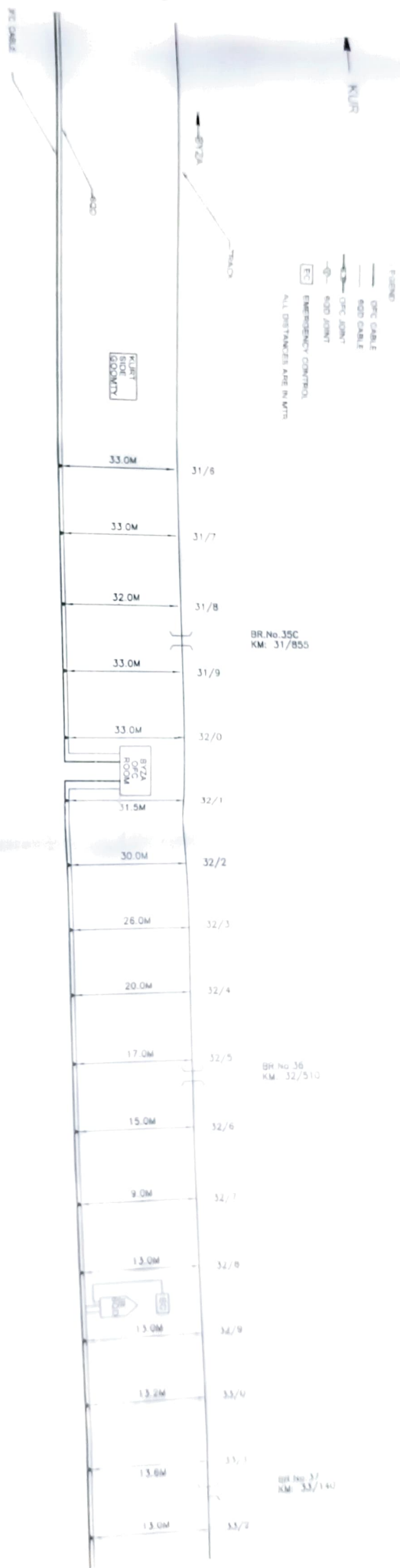
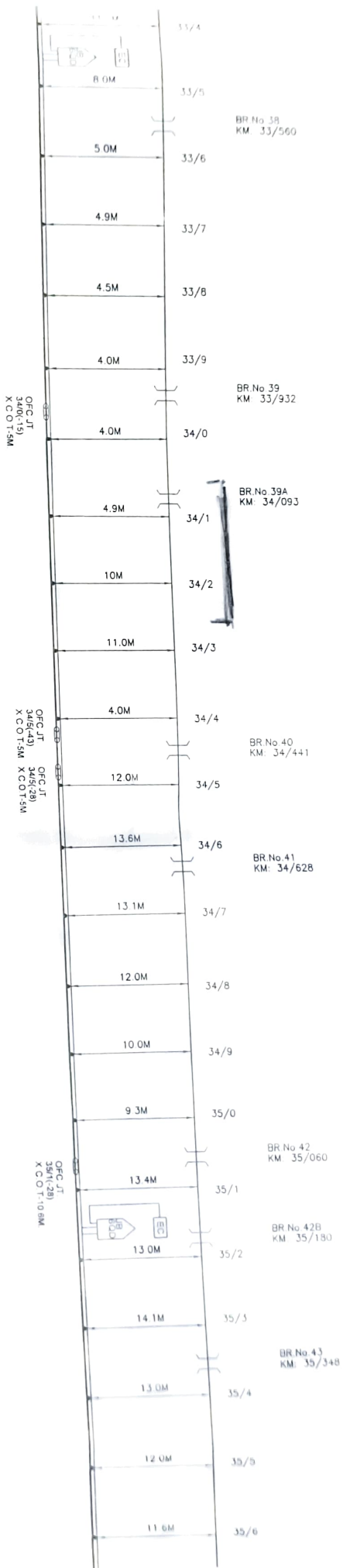


SEC: BYZA - RSKA



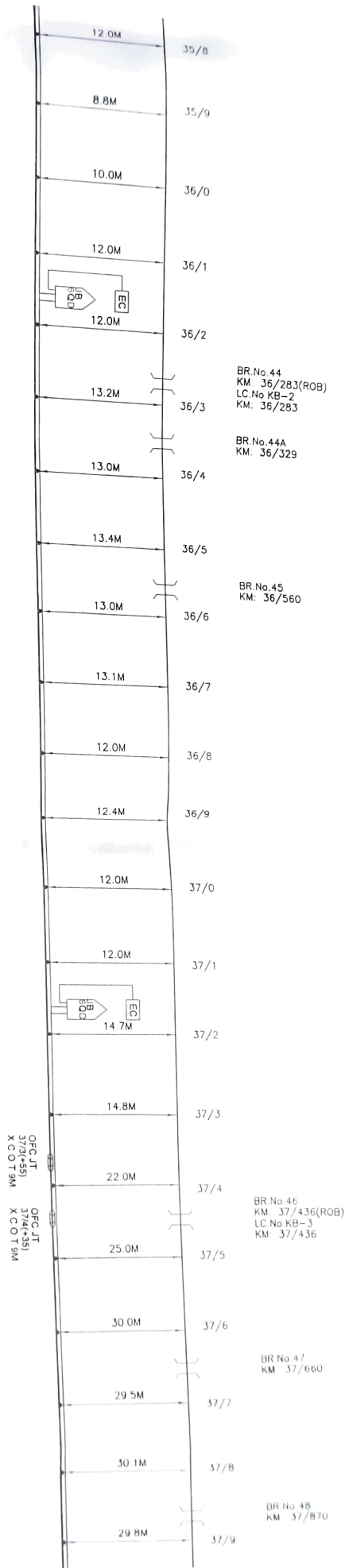
SI	E.Co.R.	DATE: 25.5.18	DATE: 22.5.18	DATE: 1.11.19	DATE: 1.11.19
SI	E.Co.R.	DATE: 25.5.18	DATE: 22.5.18	DATE: 1.11.19	DATE: 1.11.19
C H E C K E D		APPROVED		CABLE ROUTE PLAN	
SEC: BYZA - RSKA		SEC: BYZA - RSKA		SEC: BYZA - RSKA	
SI		SI		SI	

SEC: BYZA - RSKA



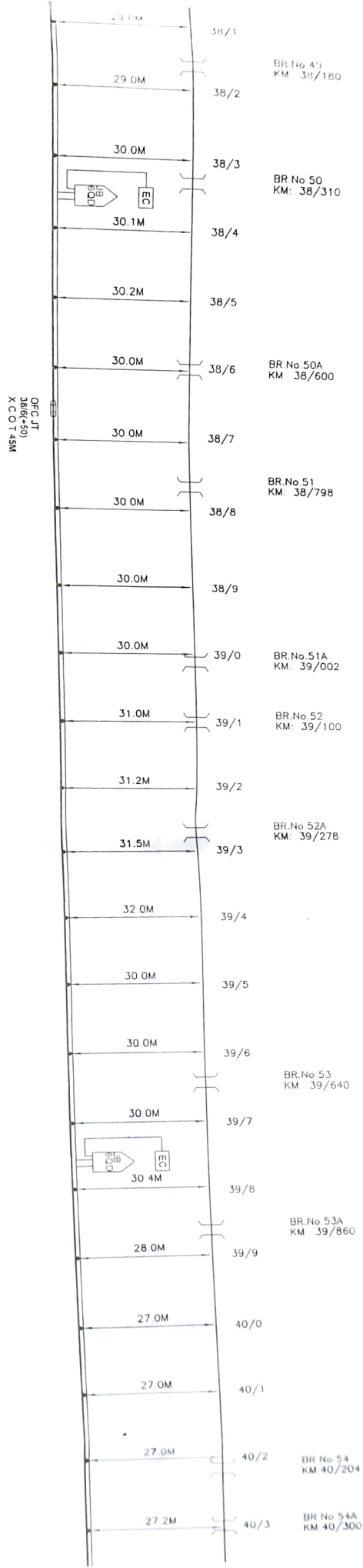
SI	APPROVED	SEC: BYZA - RSKA	SI
E.CO.R.	CH E C K E D	CABLE ROUTE PLAN	
34/0(-19)	DISTE/CDN/BBS		
34/4(-43)	DVCSIE/CDN/BBS		
34/5(-28)			

SECTIONAL CABLE ROUTE PLAN OF DZIVA - RSKA



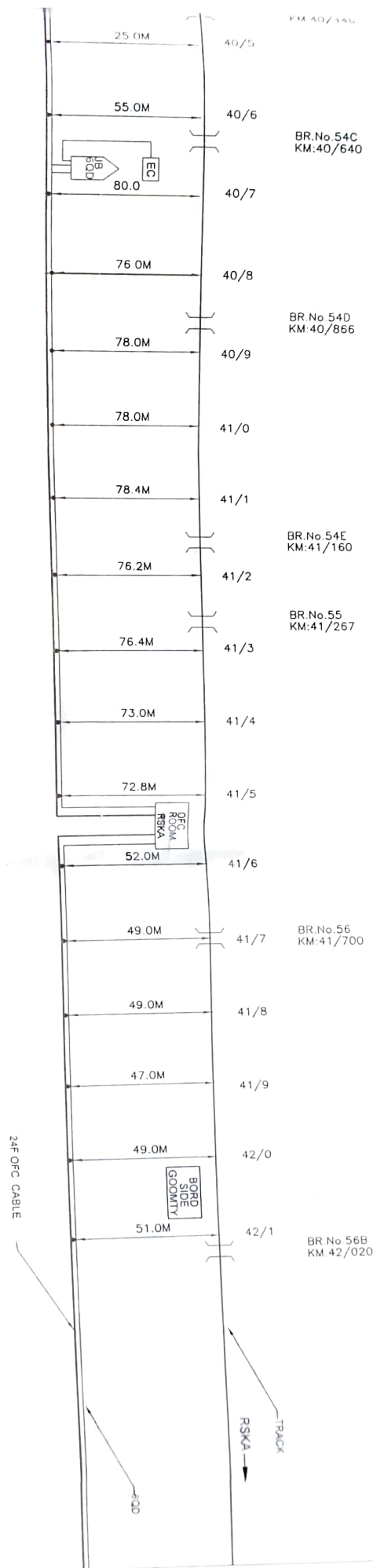
DRG No	C H E C K E D			APPROVED	CABLE ROUTE PLAN	SEC: BYZA - RSKA	DRG No
SI	E.CO.R.	<i>Signature</i>	<i>Signature</i>	<i>Signature</i>			SI
DZIVA	STATE/TELE/CON/CTC	DISTE/CON/BBS	DYCSITE/CON/BBS				

SEC: BYZA - RSKA



SI	C H E C K E D			APPROVED	CABLE ROUTE PLAN	SEC: BYZA - RSKA	SI
E.Co.R.	SSE/TELE/CON/CTC	DSTE/CON/BBS	DV CSTE/CON/BBS				
DIV-KUR							

DRG No	SI	C H E C K E D			DRG No	SI
DIV - KUR	E. Co. R.	SSE/TELE/CON/CTC	DSTC/CON/BBS	APPROVED	CABLE ROUTE PLAN	
		<i>22.5.19</i>	<i>22.5.19</i>	<i>22.5.19</i>	SEC: BYZA - RSKA	



SEC: BYZA - RSKA

BLGR →

FM 40/146

BR.No 54C
KM:40/640

BR.No 54D
KM:40/866

BR.No 54E
KM:41/160

BR.No.55
KM:41/267

BR.No.56
KM:41/700

BR.No 56B
KM.42/020