

EAST COAST RAILWAY

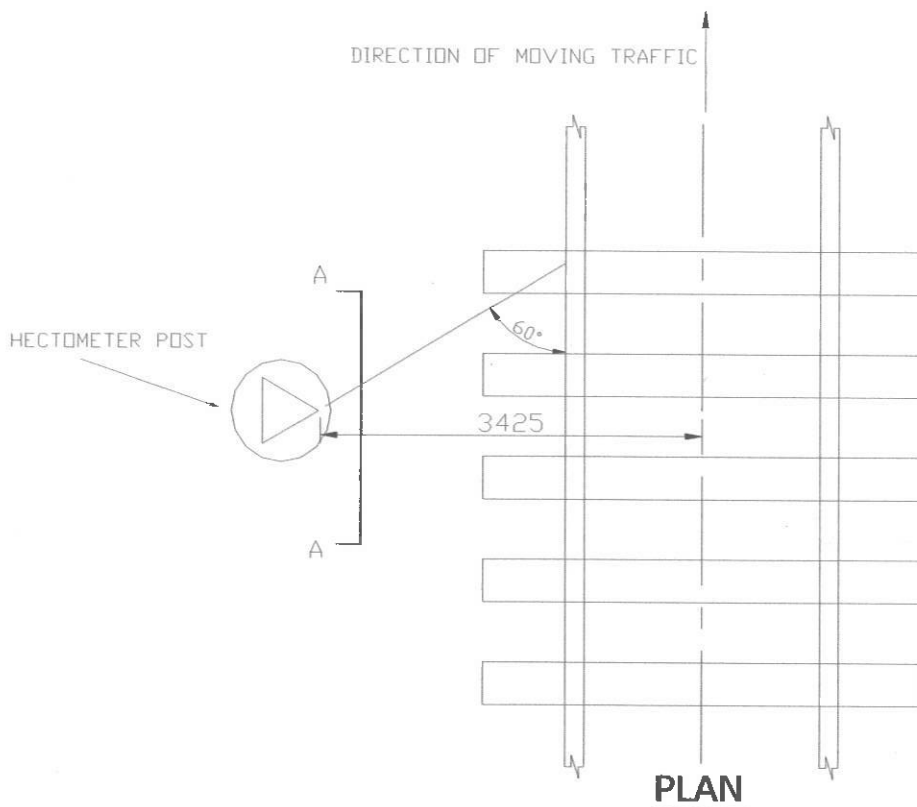
C E'S CIRCULAR NO. 7

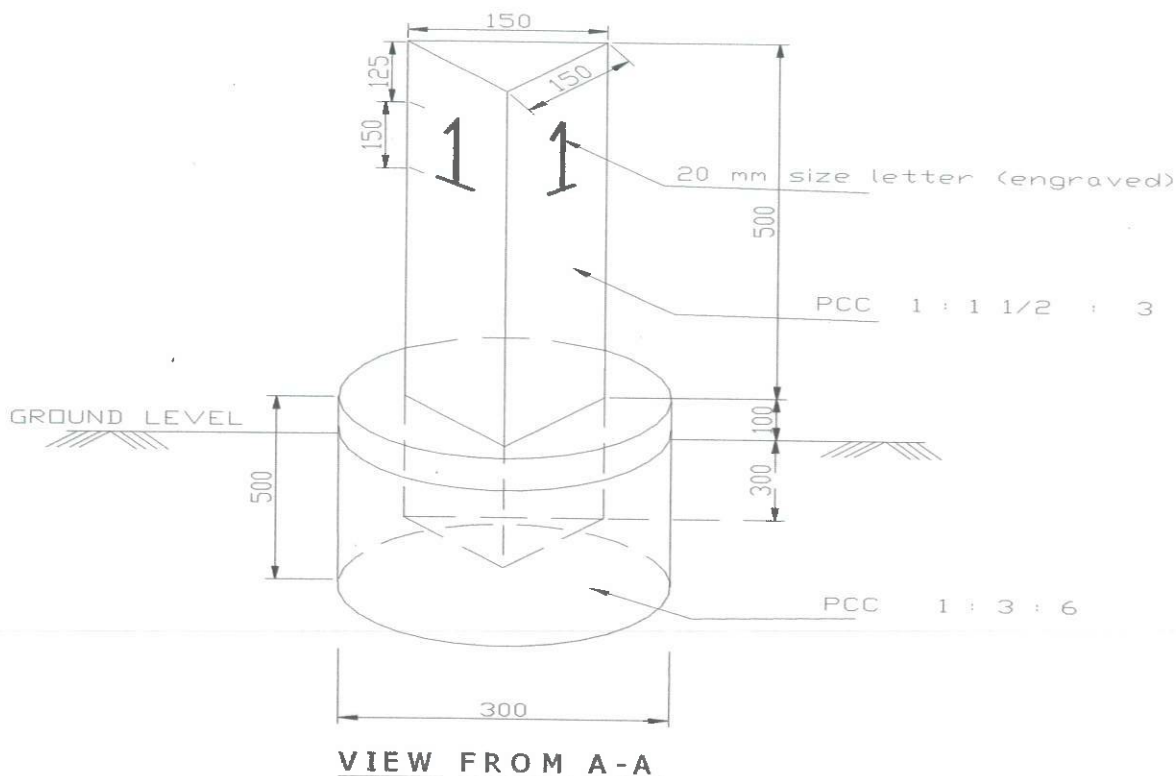
Sub: Installation of Hectometer post along the track.

“0”

In recent times, with the replacement of telegraphic posts by optic fiber/microwave communication, a need has arisen to place Hectometer posts along the track in non-electrified territory.

In this regard divisions are advised to install Hectometer posts at a distance of every 100 m as per the following drawing and instruction:





- 1) The Hectometer post shall be triangular in cross-section and two adjoining sides shall be kept at 60° to the center line of track as shown in above Plan.
- 2) The hectometer post should be provided on the left side on single line track. On double line the hectometer post should be provided on the left side of both of the tracks, with respect to the normal direction of movement.
- 3) The hectometer post shall be in addition to the km post. However, the number which will be painted in black letters on white background shall show hectometer post number only; i.e. the km number shall not be repeated. The hectometer post number shall increase from 1 to 9 in the direction of increasing km for both Single and Double line. Since only nine types of posts are to be produced, the letters should be engraved on these posts.
- 4) On single line, the number will be repeated on both the sides of hectometer post facing track, while on double line the number shall be painted on one side only so as to face the normal direction of train movement.

(The above Circular is issued in terms of contents of Board's letter No. 2004/CE-II/TK/1 (POLICY) dtd: 24.02.2004).

*[Handwritten Signature]*  
7.5.04

**K.Gangopadhyay**  
(Chief Engineer)