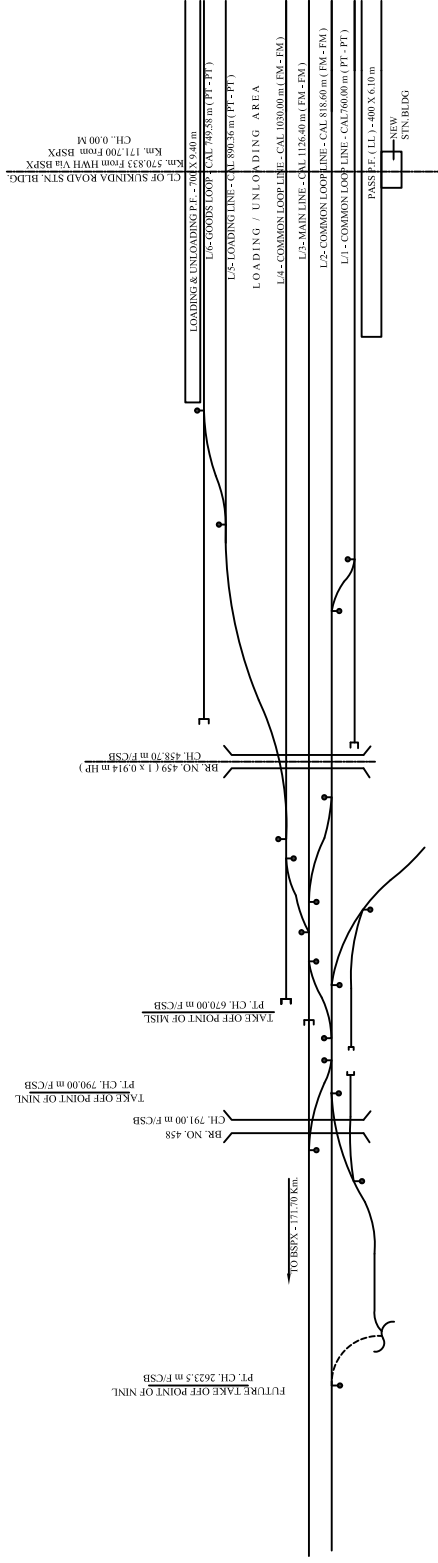
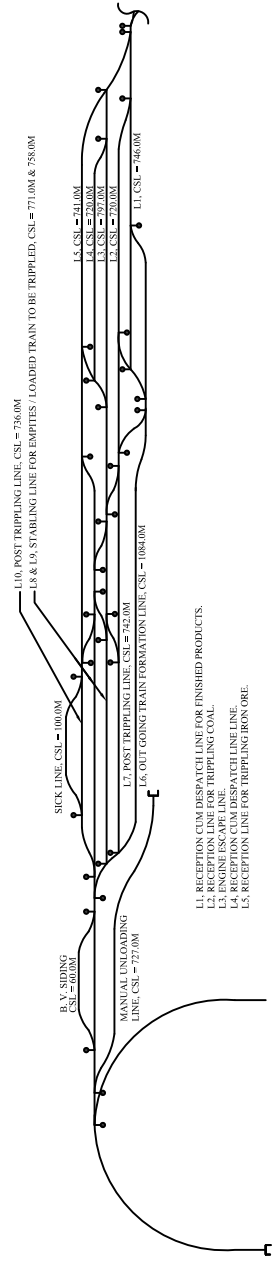


# PRIVATE SIDING OF NEELACHAL ISPAT NIGAM LIMITED AT SKND (NINS)



## NINL SIDING AT SUKINDA STATION



- L1. RECEPTION CUM DISPATCH LINE FOR FINISHED PRODUCTS.
- L2. RECEPTION LINE FOR TRIPPLING COAL.
- L3. RECEPTION LINE FOR TRIPPLING COAL.
- L4. RECEPTION CUM DISPATCH LINE.
- L5. RECEPTION LINE FOR TRIPPLING IRON ORE.

NOT TO SCALE

CE's DRG. NO. S-2215 (SH-4)

**M/s Neelachal Ispat Nigam Ltd, Sukinda Road**

SI No	Description		
1	Notification for opening of siding	SER's LRA/TRC No.46/4190 dt.08.09.2000.	
	Owner Party	M/s Neelachal Ispat Nigam Ltd	
	Status as premier customer	Gold Card Holder	
	Siding Co-used by	M/s MMTC	
2	Alpha Code of Siding	NINS	
3	Numerical Code	12121006	
4	Type of Siding	Private siding	
5	Serving Station	Sukinda Road	
6	Chargeable distance from Serving Station	7.7 km	
7	Siding agreement status	Executed on 02.05.2008	
8	No. of Commercial staff sanctioned	2	
9	Earnings in Rs.(April-11 to March-12)	64,39,02,153	
10	Traffic (April-11 to March-12) No. of rakes	<b>O/W</b>	<b>I/W</b>
		369	586
11	Production Capacity	0.44 Lakh Tonnes	
12	Rail Coefficient	76%	
13	Placement Capacity	<b>O/W</b>	<b>I/W</b>
		Full Rake	Full Rake
14	Loading/Unloading Lines	Total 05 lines	
15	No. of lines in exchange yard	5 lines	
16	Loco utilized for PL/Removal	Railway Loco	
17	Working Hours	Round the clock	
18	Free Time	Loading	Unloading
		12 Hrs	09 Hrs
19	Additional Free Time Allowed	Nil	
20	Average Detention (PL to RL) (April-11 to March-12)	Loading: 10.32 hrs Unloading: 08.23 hrs	
21	Handling of Rakes (Mechanized/Manual)	Mechanized	
22	TMS	Available	
23	E-Payment Status	Availing	
24	Weigh Bridge	Available	
25	Contact number of CGS/CNC	8455887965	
26	Customer's name & Contact number	Mr. S. Mohapatra, DGM Mobile: 9937442053	
27	Any other relevant information:		